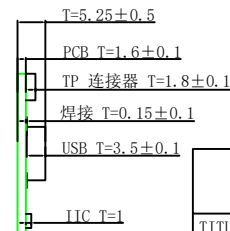
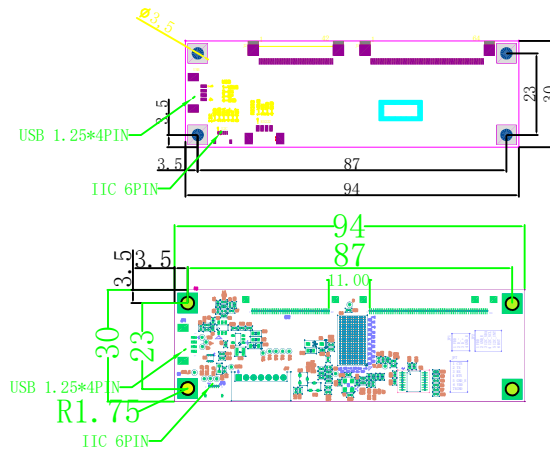
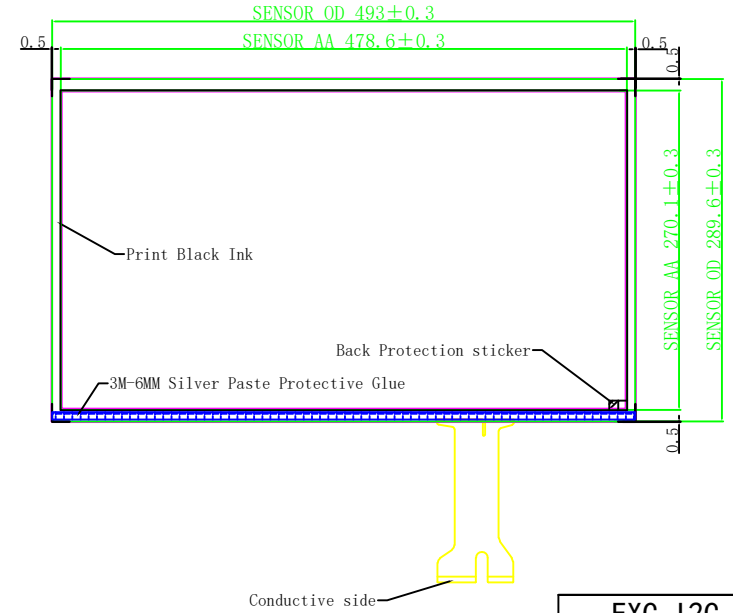
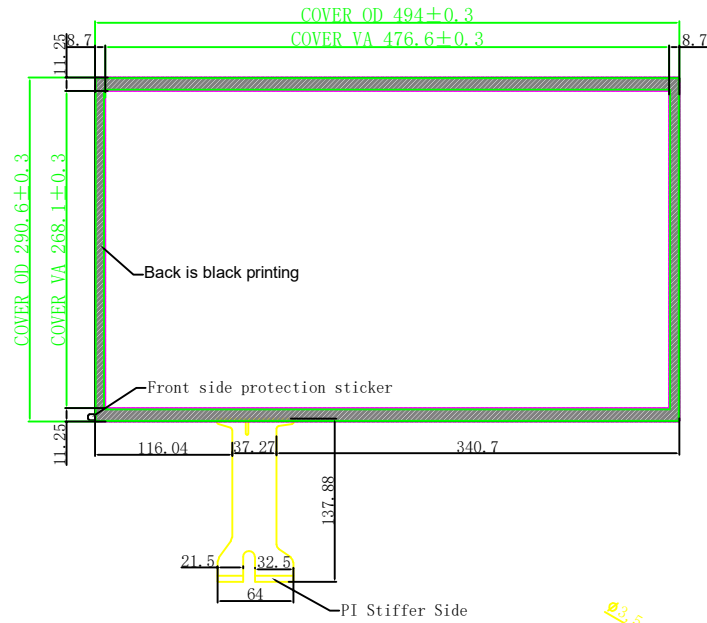


Rev.	Revision Record	制作	日期
A0	首次发行	Y	2021-12-07

### FRONT

### SIDE

### BACK



		EXC I2C	
		PIN	Define
J1 (USB)		1	VDD3.3
PIN	Define	2	GND
1	VDD/5V	3	SDA
2	D-	4	SCL
3	D+	5	INT
4	GND	6	RST

#### Technical

1. TP Structure: G+G; Work Voltage: 5V
2. TP Type: COB; IC: WD8752/EXC80W60  
WD8752\_6442\_V1/EXC80W604264STAG
3. Transmittance: ≥85%
4. Surface Hardness: ≥6H
5. Work Environment: -20°C~+70°C, ≤85%RH
6. Storage Environment: -20°C~+70°C, ≤85%RH
7. Unspecified dimensional tolerances ±0.3mm
8. Product meet RoHS standard.

### OBEY CO., LIMITED

www.obeycrop.com  
www.obtouch.com

TITLE: 产品编号	OB215020H-AAA			
Designed By: 设计	Y	Customerid: 客户编号		View: 投影方式
Checked By: 审核		Unit: 单位	mm	
Approved By:		Date: 日期	2021.12.07	Scale: 比例
				1:1